

DLT-V7210K Data Sheet



Rugged, X86-based Vehicle Mount Terminal with integrated hardware keyboard

- 10.1" wide screen Color-TFT for various host applications and user interaction requirements
- Break and abrasion resistant PCT touchscreen
- Wide temperature range to handle cold storage and hot, humid environments
- Rugged IP65 and 5M3 shock and vibration certifications for the complete system
- Integrated uninterruptible power supply (UPS), optional
- Integrated hardware keyboard which facilitates typing

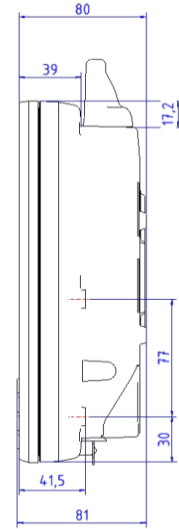
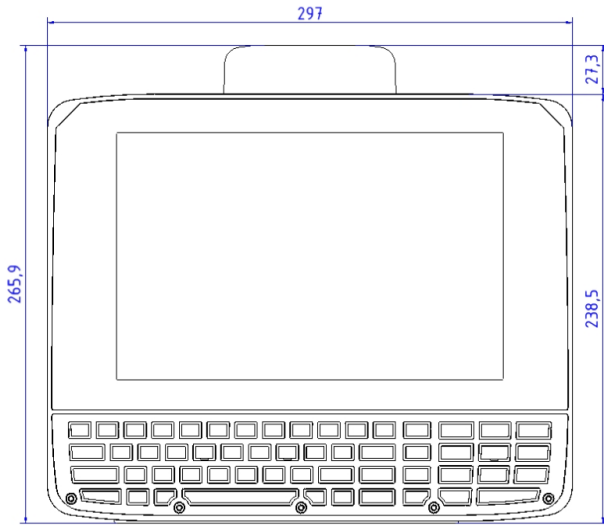
The DLT-V7210K with integrated hardware keyboard is a rugged vehicle mount terminal designed for maximum uptime and logistics - meeting a wide temperature range from hot and humid to cold freezer environments - whether dry or intense humidity. The integrated Advantech-DLOG low profile antenna solution combines excellent high transmission quality in a smaller, driver-friendly size. The integrated, user-friendly hardware keyboard available in different country versions enables efficient data input. An easy to use 10.1" wide touch screen reduces input failures by operator.

Specification

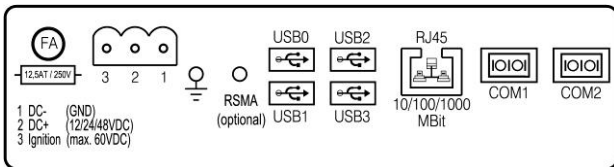
System	CPU Mass storage memory	Intel® ATOM™ E3845 Quad Core 1.91 GHz with 4 GB RAM 8 GB CFast or more
Dimensions/Weight		Width x height x depth in mm: 297 x 239 x 81 (11.7" x 9.4" x 3.2") 3.7 kg (without battery pack/accessories) (8.2 lbs.)
Housing		Completely sealed, fanless design, coated aluminium
Display		Color-TFT 10.1" wide screen WXGA 1280x800, 500 cd/m ²
Touch screen		Sunlight readable projective capacitive touch screen (PCT), multi-touch Touch sensitivity via Config Tool adjustable
Front keys/Keyboard	Front Keys	12 side keys, thereof 6 freeprogrammable
	Keyboard	Full 55-key keyboard with number pad Keyboard available in different country versions: QWERTY, QWERTZ, AZERTY Keyboard illuminated and field replaceable; silicon mat can be exchanged
Software	Operating systems	MS-Windows® 10 IoT Enterprise, MS-Windows® 7 Professional MS-Windows® Embedded 8.1 Industry Pro, WES7, WE8S Linux based on Debian, IGEL Linux
	Emulations (third-party)	VT100, VT220, IBM 5250, TN 3270, Citrix Client®, Freefloat Access One
Communication	Wi-Fi	Wi-Fi IEEE 802.11 a/b/g/n, optional
	LAN	Ethernet 10/100/1000 MBit/s
	WPAN	Bluetooth, optional
Interfaces	Serial	2 x RS-232; COM1 optionally switchable 5 VDC / RI
	USB	4 x USB 2.0 (HI-SPEED™), bootable; 1 x Service USB 3.0 (SUPER-SPEED™)
	RSMA	1 x RSMA for external antenna (Wi-Fi), optional
Audio/Voice		Speaker integrated
Power supply (internal)		12/24/48 VDC nominal voltages
		Automatic switch-on/switch-off function via vehicle ignition UPS, optional (typically 20 min); battery-life time may vary depending on use case
Environmental	IP protection class	IP65 for the complete system
	Operating temperature	-30 to +50 °C (-22 to +122 °F)
	Relative humidity	10 to 90% @ 40 °C, non condensing
	Shock/Vibration	Class 5M3 according to EN 60721-3-5, US Highway Truck as MIL-STD 810F
Approvals	Shock resistance touchscreen	IK 08
		EU, USA: CE Immunity Class A, Emission Class B / FCC Class B
		Taiwan: BSMI / NCC Japan: MIC / VCCI China: CCC / SRRC

DLT-V7210K

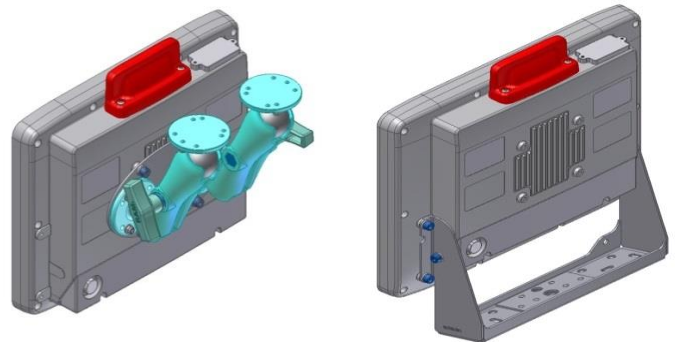
Dimensions (in mm)



Connectors



Mounting Variants (Selection)



Advantech-DLoG Partner Contact

Accessories

- Scanners with mountings
- Keyboards with mountings
- Stylus with mountings
- Terminal mountings (wide range of mounting brackets, RAM solutions)
- USB Recovery Stick