



EM1300
OEM scan engine



FEATURES

Ease of integration.

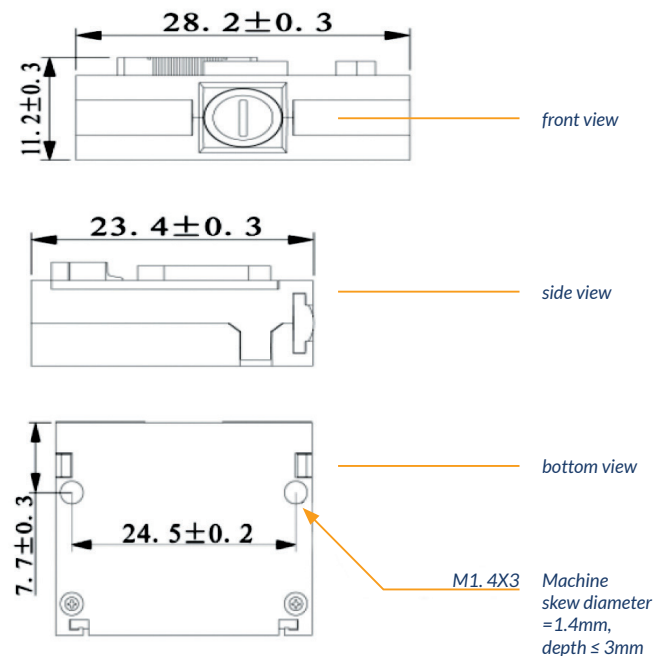
Compact (smaller than a paperclip) and easy to integrate design, image capture device with decoder on one board. The small form factor enables easy integration into various solutions.

Advanced Technology.

Includes core-technology uIMG, which is independently designed and manufactured by Newland Auto-ID. uIMG Technology includes the optical, CMOS, digitizer, decoder, image processing & embedded systems. Supports all global standard 1D barcode symbologies. Reading performance reaches global standard. By using accessories provided, scan all kinds of barcodes defined by customers.

Intelligent Focus.

Advanced optical focusing system which senses the ambient environment and adjusts the optical automatically for a quick reading response.



Application Scenarios

Designed for OEM applications, this high performance CCD scan engine can easily be integrated into various solutions such as kiosks • ticketing machines • PDA's and many more.

Performance	Interface	TTL232		
	Image Sensor	CCD		
	Symbologies	1D	Code128,EAN-13,EAN-8,Code39,UPC-A,UPC-E,Codabar,Interleaved 2 of 5,ISBN/ISSN,Code 93, etc.	
	Resolution	2500		
	Scan Rate	up to 300 scans/sec		
	Decode Rate	200 decodes/sec (default)		
	Precision	≥ 5mil (Condition:PCS=0.9, testing code: Code 39)		
	Light Source	LED (622 nm - 628 nm)		
	Light Intensity	265 LUX (130 mm)		
	Depth of Scan Field	40mm-430mm		
	Print Contrast Signal	≥ 30%		
	Sensitivity	Roll: 30°, Pitch: ±65°, Skew: ±60°		
	Illumination	0 ~ 100,000 LUX		
	Mechanical/ Electrical	Power Consumption	0.33W	
Voltage		DC 3.3 V		
Current@5VDC		Working	160mA	
		Idle	45mA	
		Sleep	12mA	
Weight	6g			
Environmental	Operating Temperature	-20°C~+60°C		
	Storage Temperature	-40°C~+85°C		
	Humidity	5%~95% (non-condensing)		
Certificates	FCC Part15 Class B, CE EMC Class B			
Accessories	Evaluation Kit	The Evaluation Kit for EM1300, with trigger, beep functions and USB, RS232 interfaces.		
	USB Cable	This cable connects to the USB Slave port of EM1300 with a USB-B male port.With a standard USB Slave port to connect to standard USB Host port.		
	RS232 Cable	This cable connect to the RS232 port of EVK1300. With a standard female RS232 port to connect to standard male RS232 port.		
	Power Adapter	The power adapter for EVK1300 by RS232 Cable. Output: DC5V, 2A; Input: AC100~240V, 50~60HZ		

**Test conditions: Code 39; 3 Bytes; Resolution=10mil; W:N=3:1; PCS=0.8; Barcode Height=11mm; Scan Distance=120mm; T=23°C; Illumination = 200 lux.

Specifications are subject to change without notice.

Version: V1.0

Newland EMEA HQ
+31 (0) 345 87 00 33
info@newland-id.com
newland-id.com

D-A-C-H
+49 (0) 6182 82916-16
info@newland-id.de

United Kingdom
+44 (0) 1442 212020
sales@newland-id.co.uk

France
+39 (0) 345 8804096
france@newland-id.com

Russia
+31 (0) 345 87 00 33
russia@newland-id.com

Benelux
+31 (0) 345 87 00 33
benelux@newland-id.com

Turkey
+90 (0) 544 538 40 49
turkey@newland-id.com

Ibérica
+34 (0) 93 303 74 66
info@newland-id.es

Middle East
+39 (0) 345 8804096
middleeast@newland-id.com

Italy
+39 (0) 342 0562227
italy@newland-id.com

South Africa
Gauteng: +27 (0) 11 553 8010
Cape Town: +27 (0) 21 9140819
info@newland-id.co.za

Nordic & Baltic
+46 (0) 70 88 47 767
nordic@newland-id.com

Iran
+90 (0) 544 538 40 49
iran@newland-id.com