

To facilitate and secure the daily use of your smartphone or tablet, MOBILIS<sup>®</sup> has created the unique U.FIX range of mounts for these devices. You can now take them with you throughout your daily activities.



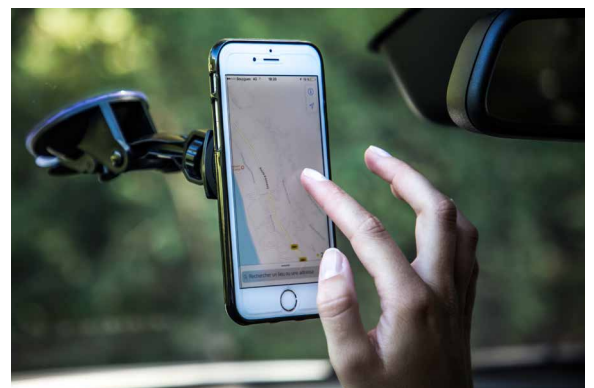
## WINDSCREEN MOUNT FOR SMARTPHONE

Ref. 044006

SUCTION MOUNTING



MAGNETIC  
DOCKING



Weight: 134 g | Dimensions: 150 x 70 x 75 mm

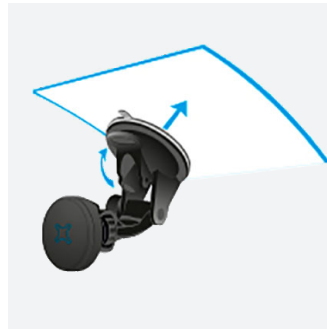
## WINDSCREEN MOUNT FOR SMARTPHONE

### PLUS-PRODUCTS

Metal plate



Windscreen mount



Magnetic system



- + Securely attaches to your windscreen thanks to its powerful suction mounting
- + Compatible with all smartphones : thanks to the metal plates provided (2) - attach it to the back of your smartphone or its case
- + Introducing the magnetic QuickLock mounting system: attach your smartphone in the blink of an eye
- + 360° rotation for your smartphone

### SPECIFICATIONS

Ref	Product designation	EAN code	
044006	U.FIX Universal Car Nav. Kit	3700992505817	
Packed product weight	Packed product dimensions	SPCB quantity	PCB quantity
194g	200 x 105 x 53 mm	6	24



[www.mobiliscase.com](http://www.mobiliscase.com)

Headquarters - Parc Altaïs - 12, Rue Véga  
74650 Chavanod - FRANCE



**MOBILIS**<sup>®</sup>  
CARE & CARRY